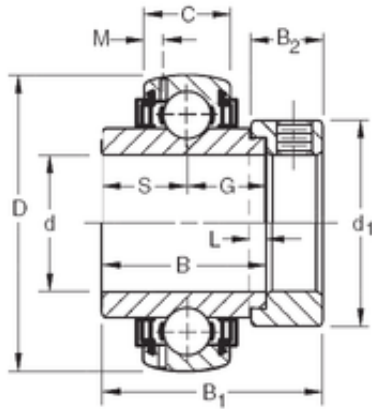




# BEARING CORP.of CANADA LTD.

## 74,6125 mm x 160 mm x 74,61 mm Timken GN215KLLB Ball Insert Bearings



Bearing No. GN215KLLB

Size	74.6125x160x74.61 mm
Bore Diameter	74,6125 mm
Outer Diameter	160 mm
Width	74,61 mm
d	74,6125 mm
D	160 mm
B	74,61 mm
C	39 mm
d1	112,71 mm
B1	100,01 mm
B2	31,75 mm
G	37,3 mm
L	6,4 mm
M	6,48 mm
S	37,3 mm
Weight	5,638 Kg
Basic dynamic load rating (C)	125 kN

GN215KLLB Bearing 2D drawings and 3D CAD models